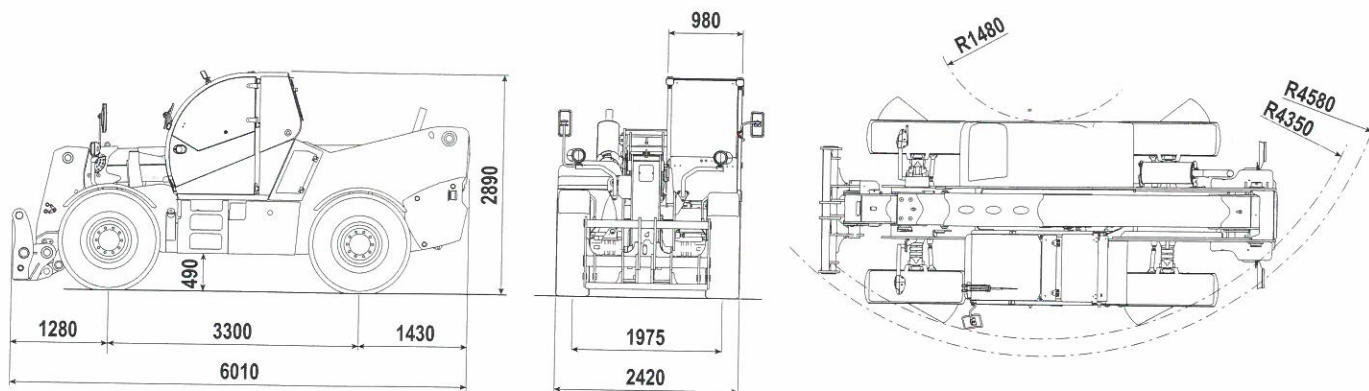


*macchine edili ed agricole*  
**d DIECI**  
S.r.l.



**Hercules 100.10**

# Hercules 100.10



## PERFORMANCES

Maximum capacity:	10.000 kg
Capacity at maximum height on tyres:	4.900 kg
Capacity at maximum boom extension on tyres:	2.500 kg
Maximum lifting height on tyres:	9.50 m
Maximum horizontal boom extension:	5.15 m
Boom extension at maximum height:	0.68 m
Fork tilting angle:	144°
Tearing force:	9.700 daN
Maximum allowable slope with load:	39 %
Total empty weight:	16.000 kg
Max speed*:	33 km/h
Levelling device:	8°+8°



## TRANSMISSION

Transmission: hydrostatic with variable delivery pump  
 Hydraulic engine: with automatic adjustment  
 Reversing gear: electro - hydraulic  
 Inching pedal for controlled forward movement.  
 Servocontrolled 2-speed gear box.



## HYDRAULIC SYSTEM

Variable delivery pump (Load Sensing): 160 l/1' / 300 bar  
 Control valve with joystick: 4 in 1  
 Simultaneous movements: 3  
 Proportional control distributor "Load Sensing" with "Flow Sharing"



## DIFFERENTIAL AXLES (HEAVY DUTY)

Steering axles: 2, with planetary reduction gears  
 Type of steering: 4 wheels / transversal / 2 wheels  
 Front axle: rigid  
 Rear axle: oscillating  
 Service brake: oil bath on the 4 wheels  
 Negative parking brake.



## ENGINE

IVECO FPT  
 Rated power kW (hp): 125(170)  
 Peak power kW (hp): 129(175)  
 Type: four-stroke, diesel engine, Common-Rail  
 Anti-pollution legislation: Stage 3b (Ad Blue)  
 Cylinders number and layout: 4, vertical in line  
 Displacement: 4485 cm<sup>3</sup> -Turbo compressor aftercooler  
 Cooling system: liquid  
 Specific fuel consumption (2,200 rpm): 230g/kWh  
 Electronic accelerator.  
 Manual accelerator.  
 Air pre-heater for cold climates.



## REFUELLING (litre)

Oil tank: 246  
 Fuel tank: 207  
 Ad Blue tank: 30



## STANDARD DEVICES

Anti-tipping device with block for hazardous movements.  
 Hydraulic socket for possible accessories on boom head.  
 ROPS - FOPS approved closed soundproof cab, with heating.  
 Self-locking differential on front axle (limited slip 45%).  
 High efficiency cyclone self-cleaning air filter.



## TYRES

Tyres: 17.5 R25



## OPTIONAL AND ACCESSORIES

A/C; Webasto heater; analogical speedometer; water heater;  
 pneumatic seat suspension; light on boom head; quick  
 attachment for accessories; radio; anti-theft alarm; glass  
 protection; Reversible fan; Wheel self-alignment.  
 (For further customised accessories, please consult your local dealer)

I dati contenuti in questo stampato sono forniti a titolo indicativo; i modelli descritti sono suscettibili di modifiche, senza preavviso, da parte del costruttore, disegni e fotografie possono riferirsi a equipaggiamenti opzionali o ad allestimenti destinati ad altri paesi. Per ogni altra informazione, rivolgersi alla sede DIECI all'indirizzo a fondo scheda.  
 The information contained in the present publication is only intended as an indication; the models described may be modified, without notice, by the manufacturer, drawings and photographs may refer to optional equipment or to particular specifications for other countries. For any further information, please contact DIECI headquarters at the address given below.

macchine edili ed agricole  
**d DIECI**

DIECI S.r.l.  
 Via E. Majorana, 2-4 - 42027 Montecchio Emilia (RE)  
 Tel. +39 0522 869611 - Fax +39 0522 869744  
 www.dieci.com - info@dieci.com